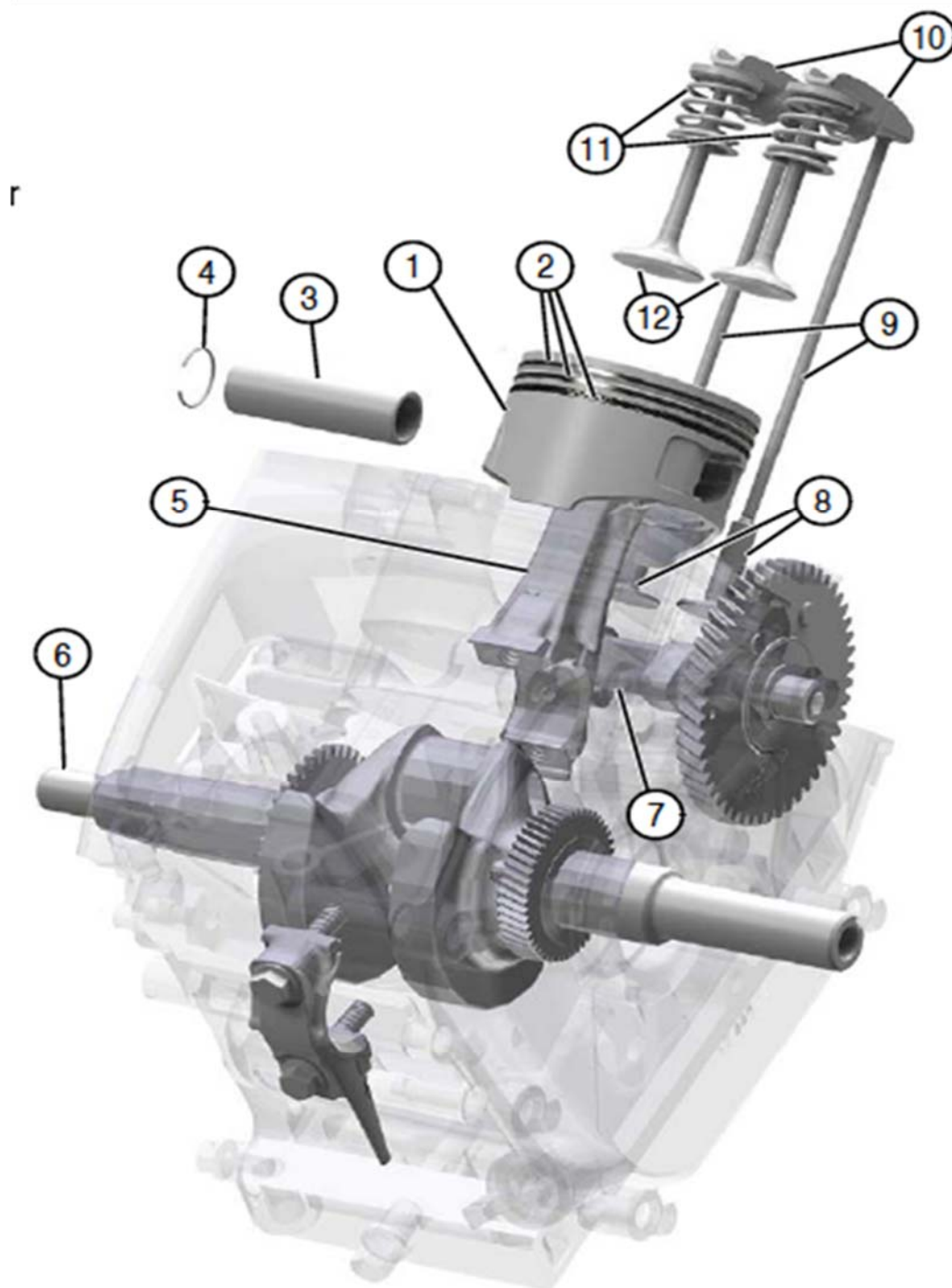


# Identification

*Directions:*

Identify each part of an internal combustion engine on the following diagram. Use the following page to identify each numbered part.



Copyright © Kohler Co. Used with permission.

EE0263

# Identification

- 1.
- 2.
- 3.
- 4.
- 5.
- 6.
- 7.
- 8.
- 9.
- 10.
- 11.
- 12.